

RKO™ Stormwater Pit

Pit Bases

The modular Rocla® Precast Square Pit system is suitable for junction pits, grated pits and kerb inlet pits to a depth of 4 metres. Preformed knockout sections on all four sides provide easy orientation and pipe connection, as well as larger pipe inlets than other pit systems.



Step Irons

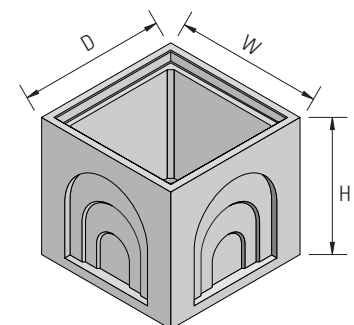
Step irons are only available with the 900 x 900mm and 1300 x 900mm pit systems. If step irons are required, add "S" to the end of the product code, e.g., PBKG0909120ES.

Preformed Knockouts

The preformed knockout sections are designed to suit standard pipe sizes and materials and may vary from those illustrated.

RKO™ Stormwater Pit Bases

Product Code	Pit Size (mm)	Base Size (mm)	Overall Length (D) (mm)	Overall Width (W) (mm)	Overall Height (H) (mm)	Max. Pipe (D) (mm)	Max. Pipe (W) (mm)
PBKL0404045C	450 x 450	450	600	600	540	225	225
PBKL0606060C	600 x 600	600	750	750	690	375	375
PBKL0606090C	600 x 600	900	750	750	990	450	450
PBKG0906060E	900 x 600	600	1080	780	700	375	375
PBKG0906075E	900 x 600	750	1080	780	850	375	375
PBKG0906090E	900 x 600	900	1080	780	1000	600	450
PBKG0906105E	900 x 600	1050	1080	780	1150	600	450
PBKG0906120E	900 x 600	1200	1080	780	1300	675	450
PBKG0907060E	900 x 750	600	1080	930	700	375	375
PBKG0907075E	900 x 750	750	1080	930	850	375	375
PBKG0907090E	900 x 750	900	1080	930	1000	600	600
PBKG0907105E	900 x 750	1050	1080	930	1150	600	600
PBKG0907120E	900 x 750	1200	1080	930	1300	675	600
PBKG0909060E	900 x 900	600	1080	1080	700	375	375
PBKG0909075E	900 x 900	750	1080	1080	850	375	375
PBKG0909090E	900 x 900	900	1080	1080	1000	600	600
PBKG0909105E	900 x 900	1050	1080	1080	1150	600	600
PBKG0909120E	900 x 900	1200	1080	1080	1300	675	675
PBKG1006060E	1050 x 600	600	1230	780	700	375	375
PBKG1006075E	1050 x 600	750	1230	780	850	375	375
PBKG1006090E	1050 x 600	900	1230	780	1000	600	450
PBKG1006105E	1050 x 600	1050	1230	780	1150	600	450
PBKG1006120E	1050 x 600	1200	1230	780	1300	675	450
PBKG1309060E	1300 x 900	600	1480	1080	700	375	375
PBKG1309075E	1300 x 900	750	1480	1080	850	375	375
PBKG1309090E	1300 x 900	900	1480	1080	1000	600	600
PBKG1309105E	1300 x 900	1050	1480	1080	1150	600	600
PBKG1309120E	1300 x 900	1200	1480	1080	1300	675	675



RKO™ Stormwater Pit

Pit Risers

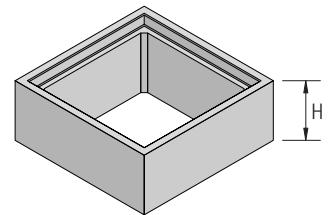
Standard products are supplied without step irons fitted. If step irons are required, add "S" to the end of the product code, e.g., PRSG0909060ES.

Step irons are only available on 900x900 and 1300x900 pit systems.



RKO™ Pit Risers

Product Code	Pit Size	Height (H) (mm)
PRSL0404015C	450 x 450	150
PRSL0404030C	450 x 450	300
PRSL0606015C	600 x 600	150
PRSL0606030C	600 x 600	300
PRSG0906015E	900 x 600	150
PRSG0906030E	900 x 600	300
PRSG0906060E	900 x 600	600
PRSG0907015E	900 x 750	150
PRSG0907030E	900 x 750	300
PRSG0907060E	900 x 750	600
PRSG0909015E	900 x 900	150
PRSG0909030E	900 x 900	300
PRSG0909060E	900 x 900	600
PRSG1006015E	1050 x 600	150
PRSG1006030E	1050 x 600	300
PRSG1006060E	1050 x 600	600
PRSG1309015E	1300 x 900	150
PRSG1309030E	1300 x 900	300
PRSG1309060E	1300 x 900	600



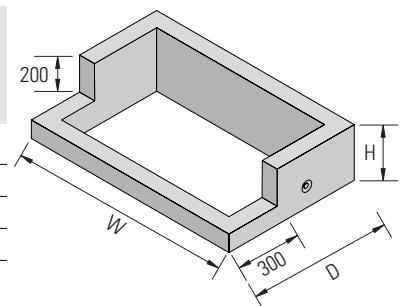
SEP Risers

Side Entry Pit Risers are used with a back of kerb inlet and will accommodate a lintel as required.



RKO™ Side Entry Pit Risers

Product Code	Pit Size (mm)	Overall Length (W) (mm)	Overall Width (D) (mm)	Overall Height (H) (mm)
PRSG0906030EK	900 x 600	1080	780	300
PRSG0907030EK	900 x 750	1080	930	300
PRSG0909030EK	900 x 900	1080	1080	300
PRSG1006030EK	1050 x 600	1230	780	300



RKO™ Stormwater Pit

Concrete Lids

The concrete lid fits within the preformed rebate at the top of the pit base (or pit riser unit) and is flush with the top of the pit. Concrete lids are only available to suit pedestrian traffic loads (10kN).



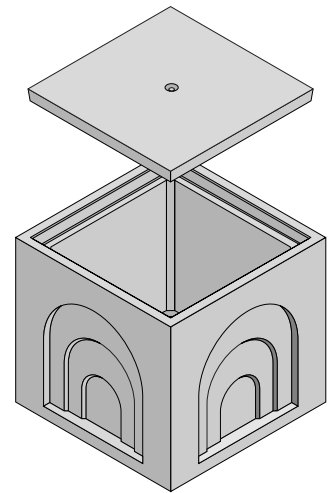
Grated Lids

The grated lid fits within the preformed rebate at the top of the pit base (or pit riser unit) and is flush with the top of the pit. Grates are supplied for Class A or B load applications in conformance with the load categories in AS3996 (Class A: 10kN – pedestrian loads; Class B: 80kN – light duty). Product codes shown are for Class A. For Class B, replace the “A” in the code with “B”.



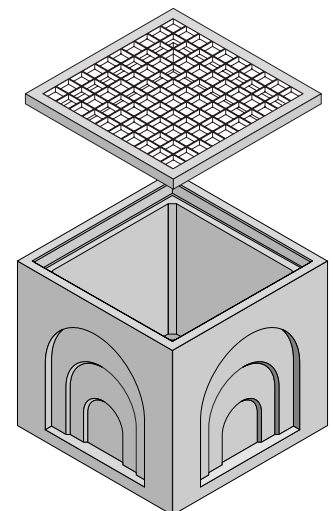
RKO™ Pit Concrete Lids

Product Code	Pit Size (mm)	Cover Dimensions		
		D (mm)	W (mm)	T (mm)
PLC0404SL	450 x 450	540	540	50
PLC0606SL	600 x 600	690	690	50



RKO™ Pit Grated Lids

Product Code	Pit Size (mm)	Grate Dimensions		
		D (mm)	W (mm)	T (mm)
PGC0404SDA	450 x 450	515	515	50
PGC0606SDA	600 x 600	665	665	50
PGC0906RDA	900 x 600	995	695	50
PGC0907RDA	900 x 750	995	845	50
PGC0909SDA	900 x 900	995	995	50



RKO™ Stormwater Pit

Grated Surrounds

Grates and surrounds are manufactured to suit Class C (150kN) ultimate load applications in accordance with AS3996. The grates are a drop-in type and are available hinged on request. Grates and surrounds for other load applications are also available.



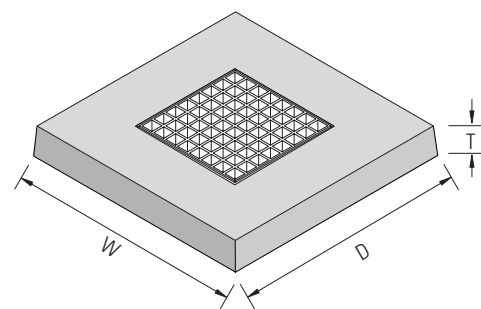
Gully Grates (Surcharge Grates)

Grates and surrounds are available to suit Class C (150kN) ultimate load applications in accordance with AS3996.



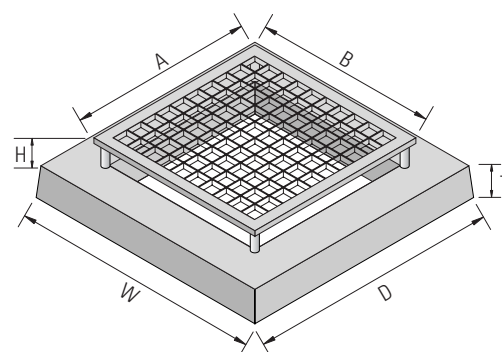
RKO™ Pit Grated Surrounds

Product Code	Pit Size (mm)	Surround Dimensions (mm)			Grate Clear Opening (mm)
		D (mm)	W (mm)	T (mm)	
CPSG600SDM	450 x 450	700	700	160	300 x 300
CPSG750SDM	600 x 600	870	870	160	400 x 400
CPSG1050SDM	900 x 600	1200	1200	160	650 x 650
CPSG1050SDM	900 x 750	1200	1200	160	650 x 650
CPSG1050SDM	900 x 900	1200	1200	160	650 x 650



RKO™ Pit Gully Grates (Surcharge Grates)

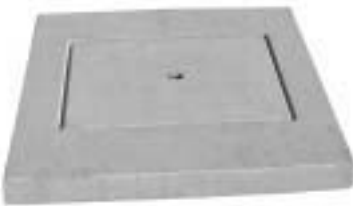
Product Code	Pit Size (mm)	Surround Dimensions			Grate Dimensions		
		W (mm)	D (mm)	T (mm)	A (mm)	B (mm)	H (mm)
PSG0906FM	900 x 600	1080	780	100	1100	800	170
PSG0909FM	900 x 900	1080	1080	100	1100	1100	170



RKO™ Stormwater Pit

Junction Pit Covers

Covers and surrounds are manufactured to suit Class C (150kN) ultimate load applications in accordance with AS3996. The same cover fits all three surrounds.



Cast Iron Covers

Cast iron covers with concrete surrounds are available to suit Class B (80kN) or Class D (210kN) load applications in accordance with AS3996.



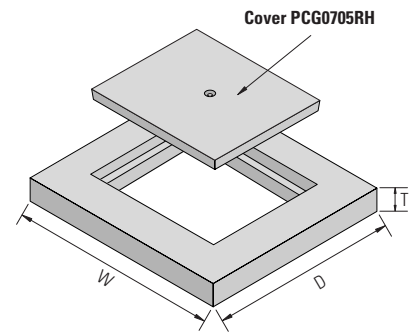
Two Piece Cover

The surround accommodates two covers, each 985 x 495 x 100mm. The surround has provisions for a steel channel to be placed under the covers. The channel is supplied by others. Code for individual cover sections is PCG0909W.



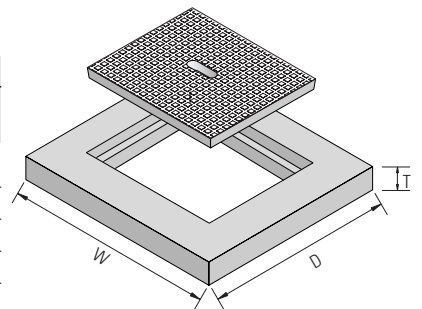
RKO™ Junction Pit Covers

Product Code	Pit Size	Surround Dimensions		
		W (mm)	D (mm)	T (mm)
PSG0906	900 x 600	1080	780	100
PSG0907	900 x 750	1080	930	100
PSG0909	900 x 900	1080	90	100



RKO™ Pit Cast Iron Covers and Surrounds

Product Code	Class	Pit Size	Surround Dimensions		
			W (mm)	D (mm)	T (mm)
PSCG0404CB	B	450 x 450	700	700	150
PSCG0606CB	B	600 x 600	870	870	150
PSCG0909CB	B	900 x 900	1200	1200	150
PSCG0606CD	D	600 x 600	870	870	150
PSCG0909CD	D	900 x 900	1200	1200	150



RKO™ Two Piece Cover

Product Code	Pit Size	Surround Dimensions		
		W (mm)	D (mm)	H (mm)
PSG0909W	900 x 900	1080	1080	300

