

Stock Troughs

Squareline™ Troughs

Rocla Squareline™ Troughs are suitable for both sheep and cattle. They can be placed directly on the ground, or on two concrete pedestals. The units are supplied with a concrete valve cover.

Squareline™ Troughs

Product Code	Length (m)	Width (mm)	Height (mm)	Capacity (litres)
TRS450244	2.44	450	300	255
TRS450488	4.88	450	300	450



Squareline™ Trough TRS450244



Squareline™ Pedestal SLPED (40kg)



Valve Cover BVCSQL (105kg)



Valve Cover BVC450SL (55kg)



Valve Cover BVCSQLC (120kg)

Stock Troughs

Circular Troughs

The large capacity and high strength of Rocla® Circular Troughs make them ideal for watering horses and cattle. The larger volume also keeps water cooler and more palatable. The height and shape of the trough makes it suitable for use on flood plains or in enclosed yards. Supplied with drainage plug.

Circular Troughs

Product Code	Nominal Diameter (mm)	Height (mm)	Capacity (litres)
TRC1050600	1050	650	450
TRC1350600	1350	600	750
TRC1800600	1800	600	1330



Cattle Feed Bunks

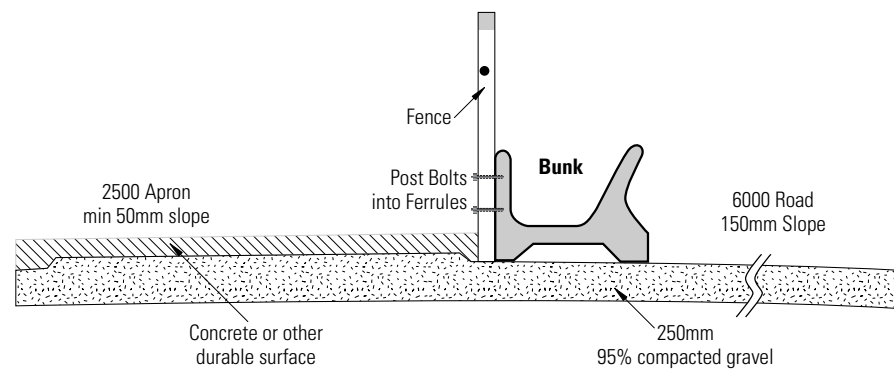
Rocla® Cattle Feed Bunks

Rugged, durable Rocla® Cattle Feed Bunks are made from factory quality concrete for a long, trouble-free life. Designed in consultation with the Australian Lot Feeders Association, these cattle-friendly bunks deliver a generous feed capacity. Standard 3-metre lengths are joined by male-female ends. End units include cast-in 100mm brass outlet plugs for easy cleaning.

Feedlot Bunks

Product Code	Component	Length (m)	Height (mm)	Width (mm)	Feed Area (mm)
FBI	Intermediate Unit	3	615	770	400 x 500
FBL	Left End Unit	3	615	770	400 x 500
FBR	Right End Unit	3	615	770	400 x 500

Typical installation of Rocla® feed bunks



Stock Grids

Rocla® Stock Grids

Rocla® Stock Grids are built from concrete and steel for a long service life. They combine an engineered precast concrete base with a fabricated RHS steel grid attached by cast-in plated inserts and galvanised bolts. The grid and base form a complete unit, delivered ready for installation by truck-mounted crane.

Triangular inserts deter stock from attempting to cross the main supports. A galvanised protective strip on the leading edge of the concrete base prevents tyre damage.



Standard 3.2m Stock Grid

Concrete base measures 3.2 x 2.1 metres. Mesh sides are integral with the steel grid component. Suitable for on-farm use, primarily on grazing properties where potential loads are stock floats, medium tractors and fuel tankers.

Grid rail: 75 x 50mm RHS. **Nominal capacity:** W7 and T44 legal axle load.

Standard 4m Stock Grid

Concrete base measures 4.0 x 2.1 metres. Separate mesh sides bolt to end bar, allowing grids to be joined side-by-side with Grid Joiner to form an 8m or 12m wide grid. Suitable for on-farm use, primarily on agricultural properties where potential loads are grain carriers, large tractors, implements and fuel tankers.

Grid rail: 100 x 50mm RHS. **Nominal capacity:** W7 and T44 legal axle load.

Shire 4m Stock Grid

Concrete base measures 4.0 x 2.1 metres. Mesh sides bolt to end bar. May be joined to form 8m or 12m grid. Heavy duty grid suitable for on-farm use in extreme situations where uncontrolled loads are anticipated, such as exploratory drilling rigs and cotton farming gear, or at entrances to quarries.

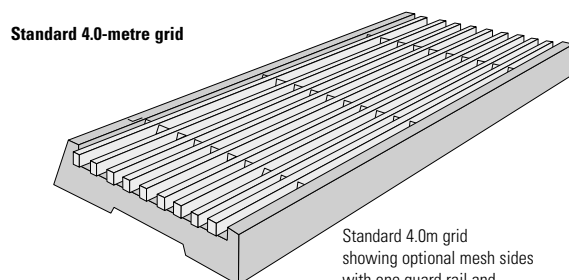
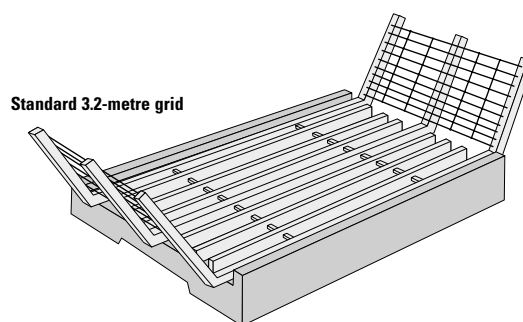
Grid rail: 125 x 50mm RHS. **Nominal capacity:** W7 and T44 legal axle load plus safety factor.

Highway 4m Stock Grid

Rocla also manufactures road grids suitable for public road use. Contact Rocla for compliance details.

Optional Accessories

- Mesh sides
- Mesh sides with one guard rail
- Mesh sides with two guard rails
- Joiner strip for 8m or 12m grid
- Precast drainage channel



Standard 4.0m grid showing optional mesh sides with one guard rail and precast drainage channel.