

Downstream Defender[®]

Stormwater Treatment System

Operation and Maintenance Manual

Table of Contents

3	Downstream Defender® Hydrodynamic Separator by Rocla Water Quality <ul style="list-style-type: none">- Benefits- Applications- Components
4	Operation <ul style="list-style-type: none">- Introduction- Pollutant Capture and Retention- Wet Sump- Blockage Protection
4	Maintenance <ul style="list-style-type: none">- Overview- Determining Your Maintenance Schedule
5	Maintenance Procedures <ul style="list-style-type: none">- Inspection- Floatables and Sediment Cleanout
8	Downstream Defender® Hydrodynamic Separator Installation Log
9	Downstream Defender® Hydrodynamic Separator Inspection and Maintenance Log

COPYRIGHT STATEMENT: The contents of this manual, including the drawings and specifications contained herein or annexed hereto, are intended for the use of the recipient to whom the document and all associated information are directed. Rocla Pty Limited owns the copyright of this document (including any drawings or graphics), which is supplied in confidence. It must not be used for any purpose other than that for which it is supplied and must not be reproduced, in whole or in part stored in a retrieval system or transmitted in any form or by any means without prior permission in writing from Rocla Pty Limited. Downstream Defender is a trademarked hydrodynamic vortex separation device of Hydro International plc. A patent covering the Downstream Defender has been granted. Rocla Pty Limited has the exclusive distribution rights of the product for Australia under license.

DISCLAIMER: Information and data contained in this manual is exclusively for the purpose of assisting in the operation and maintenance of the Rocla Downstream Defender®. No warranty is given nor can liability be accepted for use of this information for any other purpose. Rocla Pty Limited has a policy of continuous product development and improvement and reserve the right to amend specifications without notice.

Downstream Defender® by Rocla Water Quality

The Downstream Defender is an advanced Hydrodynamic Vortex Separator designed to provide high removal efficiencies of settleable solids and their associated pollutants, oil, and floatables over a wide range of flow rates.

The Downstream Defender has unique, flow-modifying internal components developed from extensive full-scale testing, CFD modeling and over thirty years of hydrodynamic separation experience in wastewater, combined sewer and stormwater applications. These internal components distinguish the Downstream Defender from simple swirl-type devices and conventional oil/grit separators by minimizing turbulence and headlosses, enhancing separation, and preventing washout of previously stored pollutants.

The high removal efficiencies and inherent low headlosses of the Downstream Defender allow for a small footprint making it a compact and economical solution for the treatment of non-point source pollution.

Created by Hydro International the product is available from Rocla under exclusive license in Australia.

Benefits of the Downstream Defender

- Removes sediment, floatables, oil and grease
- No pollutant washouts
- Small footprint
- No loss of treatment capacity between clean-outs
- Low headloss
- Efficient over a wide ranges of flows
- Easy to install
- Low maintenance

Applications

- New developments and retrofits
- Utility yards
- Streets and roadways
- Parking lots
- Pre-treatment for filters, infiltration and storage
- Industrial and commercial facilities
- Wetlands protection

DOWNSTREAM DEFENDER COMPONENTS

1. Central Access Port
2. Floatables Access Port (DD1800, DD2400 and DD3000 models only)
3. Dip Plate
4. Tangential Inlet
5. Center Shaft
6. Center Cone
7. Benching Skirt
8. Floatables Lid
9. Outlet Pipe
10. Floatables Storage
11. Isolated Sediment Storage Zone

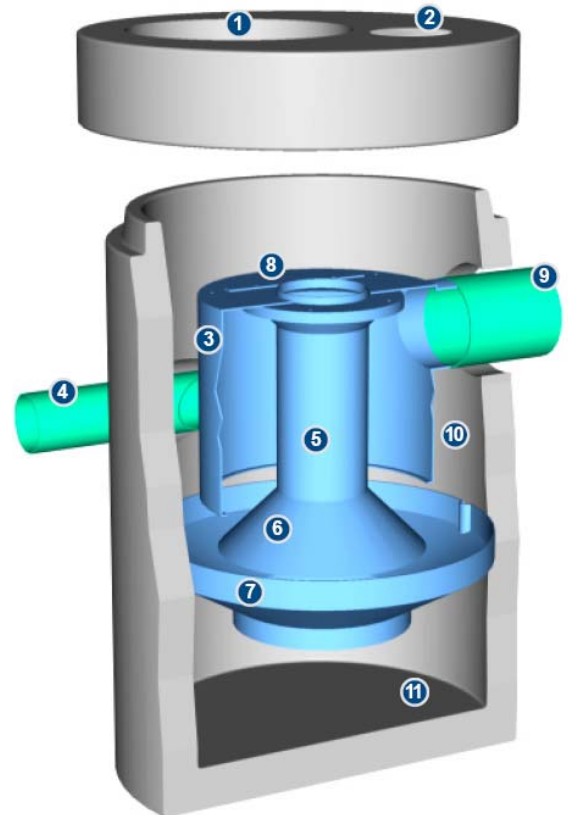


Figure 1 – Downstream Defender Components

Operation

INTRODUCTION

The Downstream Defender operates on simple fluid hydraulics. It is self-activating, has no moving parts, no external power requirement and is fabricated with durable non-corrosive components. No manual procedures are required to operate the unit and maintenance is limited to monitoring accumulations of stored pollutants and periodic clean-outs. The Downstream Defender has been designed to allow for easy and safe access for inspection/monitoring and clean-out procedures. Entry into the unit or removal of the internal components is not necessary for maintenance, thus safety concerns related to confined-space-entry are avoided.

POLLUTANT CAPTURE AND RETENTION

The internal components of the Downstream Defender have been designed to protect the oil, floatables and sediment storage volumes so that separator performance is not reduced as pollutants accumulate between clean-outs. Additionally, the Downstream Defender is designed and installed into the storm drain system so that the vessel remains wet between storm events. Oil and floatables are stored on the water surface in the outer annulus separate from the sediment storage volume in the sump of the unit providing the option for separate oil disposal, and accessories such as adsorbent pads. Since the oil/floatables and sediment storage volumes are isolated from the active separation region, the potential for re-suspension and washout of stored pollutants between clean-outs is minimized.

WET SUMP

The sump of the Downstream Defender retains a standing water level between storm events. The water in the sump prevents stored sediment from solidifying in the base of the unit. The clean-out procedure becomes more difficult and labor intensive if the system allows fine sediment to dry-out and consolidate. Dried sediment must be manually removed by maintenance crews. This is a labor intensive operation in a hazardous environment.

BLOCKAGE PROTECTION

The Downstream Defender has large clear openings and no internal restrictions or weirs, minimizing the risk of blockage and hydraulic losses. In addition to increasing the system headloss, orifices and internal weirs can increase the risk of blockage within the unit.

Maintenance

OVERVIEW

The Downstream Defender protects the environment by removing a wide range of pollutants from stormwater runoff. Periodic removal of these captured pollutants is essential to the continuous, long-term functioning of the Downstream Defender. The Downstream Defender will capture and retain sediment and oil until the sediment and oil storage volumes are full to capacity. When sediment and oil storage capacities are reached, the Downstream Defender will no longer be able to store removed sediment and oil. Maximum pollutant storage capacities are provided in Table 1 (Page 5).

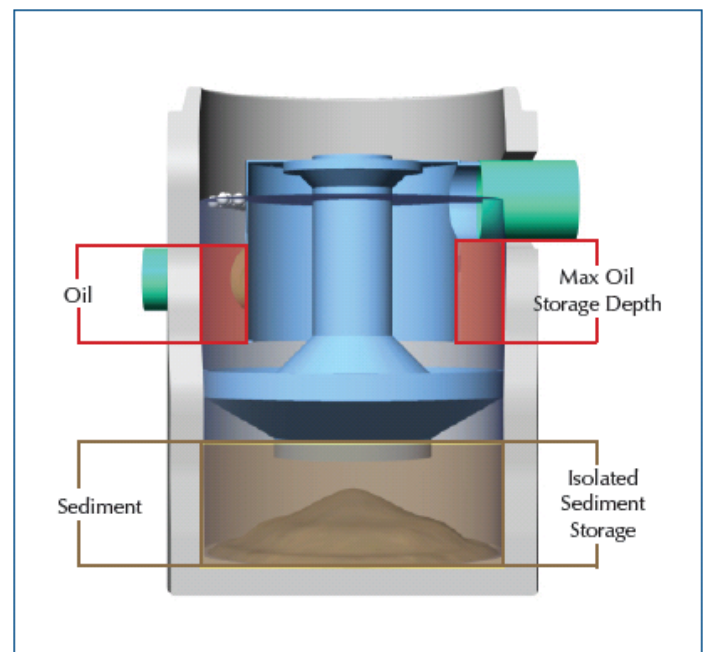


Figure 2 – Downstream Defender Maximum Storage Depths

The Downstream Defender allows for easy and safe inspection, monitoring and clean-out procedures. A commercially or municipally owned vacuum truck is used to remove captured sediment and floatables. Access ports are located in the top of the manhole. On the DD1800, DD2400 and DD3000 units, the floatables access port is above the outlet pipe between the concrete manhole wall and the dip plate. The sediment removal access ports for all Downstream Defender models are located directly over the hollow center shaft.

Maintenance events may include Inspection, Oil & Floatables Removal, and Sediment Removal. Maintenance events do not require entry into the Downstream Defender, nor do they require the internal components of the Downstream Defender to be removed. In the case of inspection and floatables removal, a vactor truck is not required. However, a vactor truck is required if the maintenance event is to include oil removal and/or sediment removal.

DETERMINING YOUR MAINTENANCE SCHEDULE

The frequency of cleanout is determined in the field after installation. During the first year of operation, the unit should be inspected every six months to determine the rate of sediment and floatables accumulation. A simple sediment probe can be used to determine the level of accumulated solids stored in the sump. This information can be recorded in the maintenance log (see page 9) to establish a routine maintenance schedule.

The vactor procedure, including both sediment and oil/floatables removal, for a DD1800 Downstream Defender typically takes less than 30 minutes and removes a combined water/oil volume of about 1,895 Litres.

INSPECTION PROCEDURES

Inspection is a simple process that does not involve entry into the Downstream Defender. Maintenance crews should be familiar with the Downstream Defender and its components prior to inspection.

SCHEDULING

- It is important to inspect your Downstream Defender every six months during the first year of operation to determine your site-specific rate of pollutant accumulation.
- Typically, inspection may be conducted during any season of the year

RECOMMENDED EQUIPMENT

- Safety Equipment and Personal Protective Equipment (traffic cones, work gloves, etc.)
- Crow bar or other tool to remove grate or lid
- Pole with skimmer or net
- Sediment probe*
 - * Sediment probe or staff is a simple measuring staff that is used to measure the depth from the ground surface to the bottom of the Downstream Defender sump. The length of the staff required to reach the solids stored in the sump is compared to the actual depth of the sump when empty as shown on the site specific drawing for the system.
- Trash bag for removed floatables
- Downstream Defender Maintenance Log

DOWNSTREAM DEFENDER POLLUTANT STORAGE CAPACITIES and MAX. CLEANOUT DEPTHS

Unit Diameter	Total Oil Storage	Oil Clean-out Depth	Total Sediment Storage	Sediment Clean-out Depth	Max. Liquid Volume Removed
(millimetres)	(Litres)	(millimetres)	(Litres)	(millimetres)	(Litres)
1200	265	<400	550	<455	1450
1800	870	<580	1600	<610	4700
2400	1990	<830	3550	<750	10900
3000	3975	<1060	6650	<900	20900

Table 1 – Clean-Out Depths

NOTES

1. Refer to Downstream Defender Clean-out Detail (Fig. 2) for measurement of depths.
2. Oil accumulation is typically less than sediment, however, removal of oil and sediment during the same service is recommended.
3. Remove floatables first, and then remove sediment storage volume.



Figure 3 – Inspection and Maintenance Covers



Figure 4 – Checking Sediment using a Probe



Figure 5 – Vacuuming Sediment Sump

INSPECTION PROCEDURES

1. Set up any necessary safety equipment around the access port or grate of the Downstream Defender as stipulated by local ordinances. Safety equipment should notify passing pedestrian and road traffic that work is being done.
2. Remove the lids to the manhole. Figure 3. (NOTE: The DD1200 Downstream Defender will only have one lid).
3. Without entering the vessel, look down into the chamber to inspect the inside. Make note of any irregularities. See Figure 6 and 7 for typical inspection views.
4. Without entering the vessel, use the pole with the skimmer net to remove floatables and loose debris from the outer annulus of the chamber.
5. Using a sediment probe, measure the depth of sediment that has collected in the sump of the vessel. Figure 4.
6. On the Maintenance Log (see page 9), record the date, unit location, estimated volume of floatables and gross debris removed, and the depth of sediment measured. Also note any apparent irregularities such as damaged components or blockages.

7. Securely replace the grate or lid.
8. Take down safety equipment.
9. Notify Rocla Water Quality of any irregularities noted during inspection.

FLOATABLES AND SEDIMENT CLEANOUT

Floatables cleanout is typically done in conjunction with sediment removal. A commercially or municipally owned vacuum truck is used to remove captured sediment and floatables. Figure 6.

Floatables and loose debris can also be netted with a skimmer and pole. The access port located at the top of the manhole provides unobstructed access for a vacator hose and skimmer pole to be lowered to the base of the sump.

SCHEDULING

- Floatables and sump cleanout are typically conducted once a year during any season.
- Floatables and sump cleanout should occur as soon as possible following a spill in the contributing drainage area.



Figure 6: View over Center Shaft into sediment storage Zone



Figure 7: View of outer annulus of floatables and oil collection zone

RECOMMENDED EQUIPMENT

- Safety Equipment (traffic cones, etc)
- Crow bar or other tool to remove grate or lid
- Pole with skimmer or net (if only floatables are being removed)
- Sediment probe
- Vacuum truck (flexible hose recommended)
- Downstream Defender Maintenance Log

FLOATABLES AND SEDIMENT CLEAN OUT PROCEDURES

1. Set up any necessary safety equipment around the access port or grate of the Downstream Defender as stipulated by local ordinances. Safety equipment should notify passing pedestrian and road traffic that work is being carried out.
2. Remove the lids to the manhole (NOTE: The DD1200 Downstream Defender will only have one lid).
3. Without entering the vessel, look down into the chamber to inspect the inside. Make note of any irregularities.
4. Using the Floatables Port for access, remove oil and floatables stored on the surface of the water with the vector hose or the skimmer net. Figure 8.
5. Using a sediment probe, measure the depth of sediment that has collected in the sump of the vessel and record it in the Maintenance Log (page 9).
6. Once all floatables have been removed, drop the vacuum hose to the base of the sump via the Central Access Port. Vacuum out the sediment and gross debris off the sump floor. Refer Figure 5.

7. Retract the vector hose from the vessel.
8. On the Maintenance Log provided by Rocla (Page 9), record the date, unit location, estimated volume of floatables and gross debris removed, and the depth of sediment measured. Also note any apparent irregularities such as damaged components or blockages.
9. Securely replace the grate or lid.

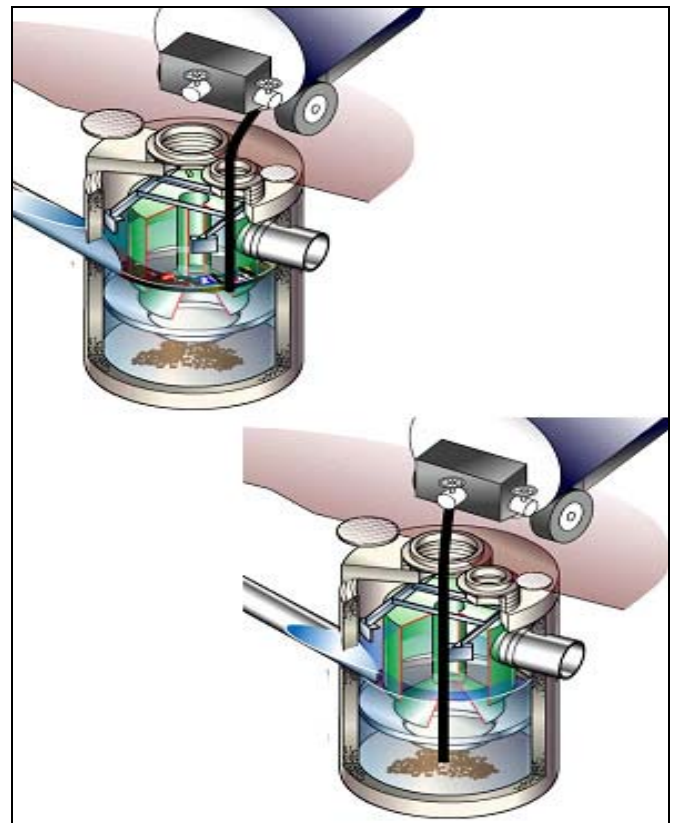


Figure 8: Floatables and sediment are removed with a vector hose

Maintenance at a Glance

Table 2

ACTIVITY	FREQUENCY
Inspection	- Regularly during first year of installation - Every 6 months after the first year of installation
Oil and Floatables Removal	- Once per year, with sediment removal - Following a spill in the drainage area
Sediment Removal	- Once per year or as needed - Following a spill in the drainage area

NOTE: For most cleanouts it is not necessary to remove the entire volume of liquid in the vessel. Only removing the first few inches of oils / floatables and the sediment storage volume is required.



Downstream Defender® Hydrodynamic Separator Installation Log

ROCLA WATER QUALITY SERIAL NUMBER: DD AU..... (Data Plate located on baffle lid inside the unit)	
SITE NAME:	
SITE LOCATION:	
OWNER:	CONTRACTOR:
CONTACT NAME:	CONTACT NAME:
COMPANY NAME:	COMPANY NAME:
ADDRESS:	ADDRESS:
TELEPHONE:	TELEPHONE:
FAX:	FAX:

INSTALLATION DATE: / /

MODEL (CIRCLE ONE): DD1200 DD1800 DD2400 DD3000 CUSTOM

NOTES

NOTES

ROCLA WATER QUALITY DOWNSTREAM DEFENDER® HYDRODYNAMIC SEPARATORS

For further information on Downstream Defender®
Hydrodynamic Separators or other products from
Rocla Water Quality

Call Rocla on

131 004

E-mail your inquiry

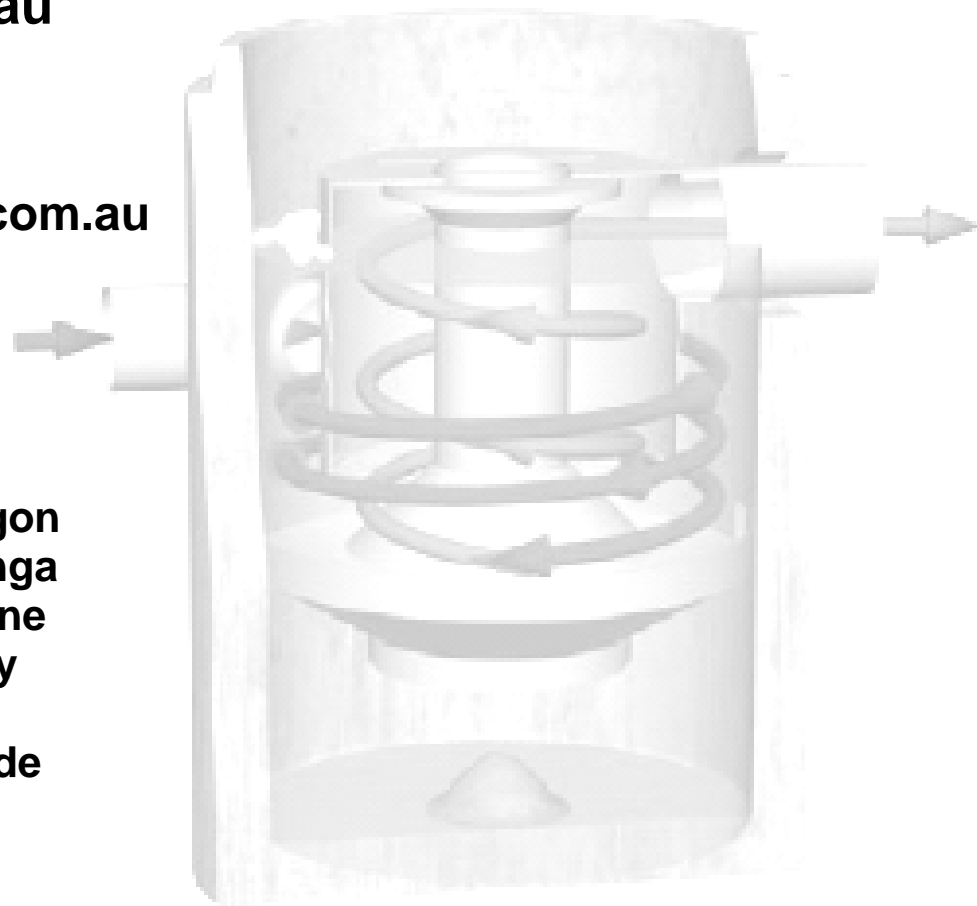
solutions@rocla.com.au

Visit our website

www.waterquality.rocla.com.au

- Sydney
- Dapto
- Dubbo
- Newcastle
- Glen Innes
- Grafton
- Canberra
- Melbourne

- Avoca
- Traralgon
- Wodonga
- Brisbane
- Mackay
- Cairns
- Adelaide
- Perth



ILLUSTRATIONS IN THIS MANUAL ARE PROVIDED COURTESY OF HYDRO INTERNATIONAL PLC.

Rocla Pty Limited
ABN 31 000 032 191
Trading as Rocla Water Quality

®Trade mark of Rocla Pty Limited
©Rocla Pty Limited September 2006



The contents of this document are copyright and may not be reproduced in any form without the prior written consent of Rocla Pty Limited. Recommendations and advice regarding the use of the products described in this brochure are to be taken as a guide only, and are given without responsibility on the part of the company or its employees. Individual designs involving the use of these products should be undertaken by a competent engineer.