



Steel Reinforced Concrete Box Culverts



STORMWATER

Versatile drain and culvert solution



Rocla® reinforced concrete box culverts (RCBCs) are the fast, easy solution for applications under roads, railways and runways as drainage culverts, underpasses or service ducts. Precast units mean fast installation with minimal disruption to services and traffic.



Multi-purpose product

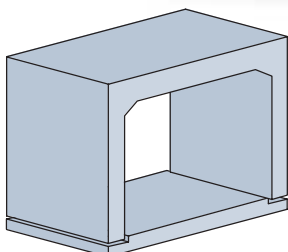
Precast box culverts are a proven solution for drainage applications, but are also ideal for:

- Ducts for underground services
- Conveyor housing
- Stormwater detention tanks
- Pedestrian and livestock subways
- Fire escapes

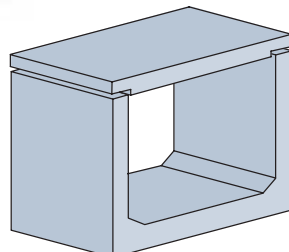


Selecting box culverts

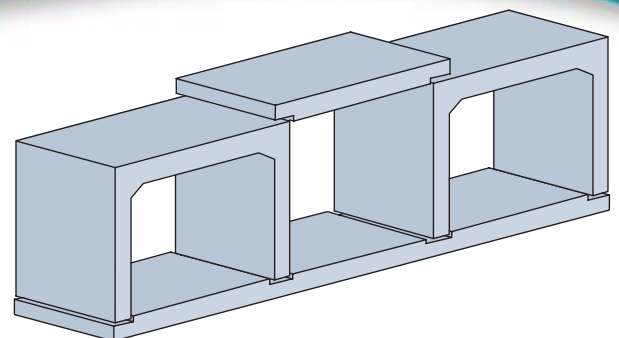
Box culverts are a specialised alternative to pipes where limited fill height and/or open channel conditions govern the design criteria.



Crown & Base



Invert & Lid



Crown & Base with Link Slab



Cost saving

Site costs in both materials and labour are significantly reduced when using precast products, compared with costly formwork and curing time required for in situ construction. In multi-cell installations, further economies may be achieved by using link slabs between crown sections.

Choice of sizes

Products are available in a standard range of sizes (spans from 300mm to 4200mm) but can be purpose manufactured to suit size or load requirements and special site conditions. All Rocla® box culverts are specially designed by the company's engineering team.

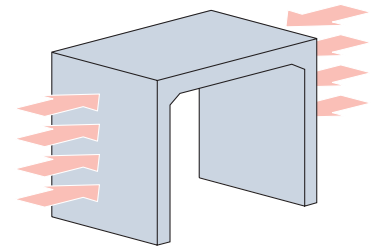


Easy to handle

All Rocla® precast box culverts are provided with cast-in SwiftLift anchors for attaching lifting hooks or slings.

All-weather installation

Installation of Rocla® box culverts can be carried out in all weathers, avoiding costly hold-ups. Units are normally unloaded and installed by one crane driver and two labourers.



Rigid frame

The rigid portal frame of the box culvert provides excellent resistance to unbalanced horizontal loads caused by uneven backfill or traffic, which also makes the units suitable for skewed installations.

Headwalls and wing walls

Rocla® precast box culverts can be supplied with cast-in ferrules and starter bars (protruding reinforcement) for constructing headwalls. Rocla manufactures an extensive range of precast headwalls to suit any single or multiple-cell RCBC configuration.



Special designs

Rocla can design and manufacture box culverts for unusual site conditions such as extreme loadings. For aggressive conditions (e.g., marine environments) box culverts with additional concrete cover or a special concrete mix can be manufactured for specific projects.

Quality assured

Rocla® box culverts are designed and manufactured under a documented quality system which enables accreditation to ISO9001. All products meet the requirements of AS1597.1, AS1597.2 and all State Rail Authority specifications.



Steel Reinforced Concrete Box Culverts

For further information on Rocla® concrete box culverts, headwalls, wing walls or other precast solutions from Rocla Pipeline Products

Call Rocla on
131 004

For an information kit email
solutions@rocla.com.au

Or visit our website
www.rocla.com.au

- Sydney
- Dapto
- Dubbo
- Newcastle
- Glen Innes
- Grafton
- Canberra
- Melbourne
- Avoca
- Traralgon
- Wodonga
- Brisbane
- Toowoomba
- Mackay
- Cairns
- Adelaide
- Perth



**Quality
Endorsed
Company**
ISO 9001
Lic. No. 0177
SAI Global

Rocla Pty Limited
ABN 31 000 032 191

® Trade mark of Rocla Pty Limited
© Rocla Pty Limited March 2007

The content of this brochure is protected by copyright and may not be reproduced in any form without the prior written consent of Rocla Pty Limited. The information in this brochure is as far as possible accurate at the date of publication, however, before application in any situation, Rocla recommends that you obtain qualified expert advice confirming the suitability of product(s) and information in question for the application proposed. While Rocla accepts its legal obligations, be aware however that to the extent permitted by law, Rocla disclaims all liability (including liability for negligence) for all loss and damage resulting from the use of the information provided in this brochure.